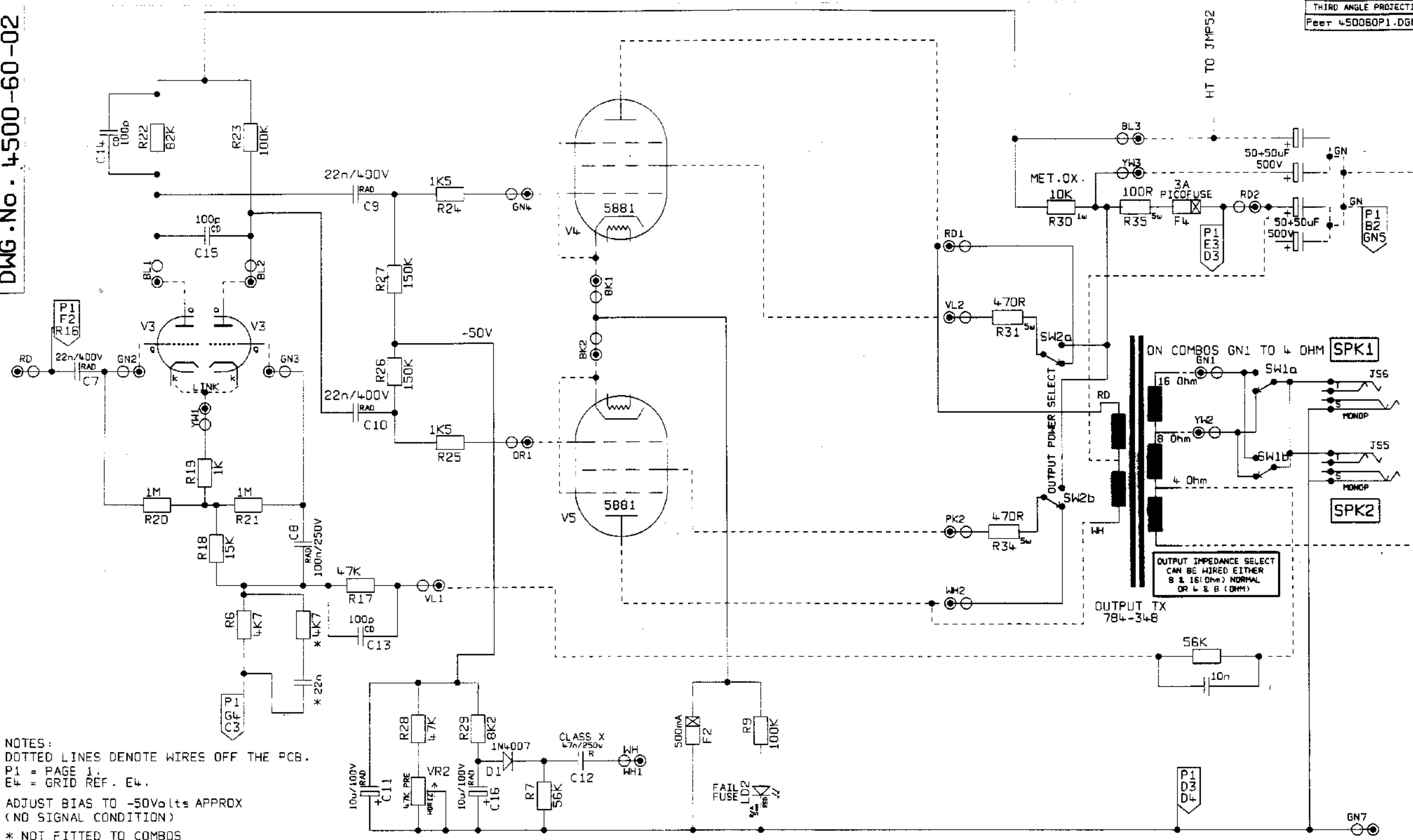


DWG. No. 4500-60-02



NOTES:
 DOTTED LINES DENOTE WIRES OFF THE PCB.
 P1 = PAGE 1.
 E4 = GRID REF. E4.
 ADJUST BIAS TO -50Volts APPROX
 (NO SIGNAL CONDITION)
 * NOT FITTED TO COMBDS

UNSPECIFIED HOLE DATA				MATERIAL		DIMENSIONS IN	
A			H	MATERIAL THICKNESS	TOLERANCE (UNLESS OTHERWISE STATED)		
B			J	INTERNAL BEND RADIUS	DIMENSIONAL		
C			K	EXTERNAL B/A	CENTRES		
D			L	BEND D/E	ANGULAR		
E			M	DRAWN CJRH	DATE 27/7/93	MODEL	
F			N	CHECKED KSM	DATE 28/8/94	4500	
G			P	APPROVED	DATE		

Marshall

POWER AMP CCT
 2 OF 2

ISSUE No 4500-60-02

ISSUE 10

COPYRIGHT EXISTS ON THIS DOCUMENT. IT MUST NOT BE USED FOR ANY PURPOSE OTHER THAN THAT FOR WHICH IT IS SUPPLIED AND MUST NOT BE REPRODUCED OR IN PART WITHOUT WRITTEN PERMISSION FROM MARSHALL AMPLIFICATION PLC
 DENBIGH ROAD, BLETCHLEY, MILTON KEYNES, MK1 1DG.
 TEL: (0908) 375611 FAX: (0908) 376118